

Cassette Roman Blind Kit Instructions

-Please read carefully commencing

We recommend a professional or a person competent in DIY undertake this installation.

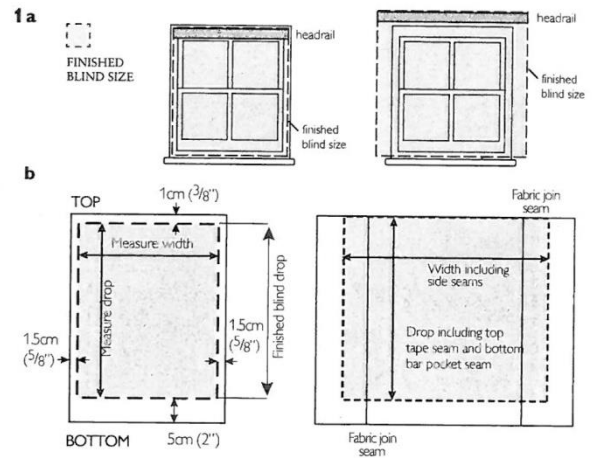
Please note: Additional fasteners other than those sent with your blind may be required depending on the mounting surface. Wallboard and plaster require the use of anchors such as expansion or toggle bolts. Brick, tile or stone need special plugs and drill bits. Remember to always pre-drill holes in wood to avoid splitting.



Parts list									
track length	track (ready corded)	cam support	chain pulley	end cap	chain safety guide	roman rods	bottom bar	hook on cord toggle	loop tape
60cm	1	2	1 (ratio 1:1)	1	1	5	1	2	0.62 Mtr
90cm	1	3	1 (ratio 1:1)	1	1	5	1	3	0.92 Mtr
120cm	1	3	1 (ratio 1:1)	1	1	5	1	3	1.22 Mtr
150cm	1	4	1 (ratio 1:3)	1	1	5	1	4	1.52 Mtr
180cm	1	5	1 (ratio 1:3)	1	1	5	1	5	1.82 Mtr
210cm	1	6	1 (ratio 1:3)	1	1	5	1	6	2.11Mtr

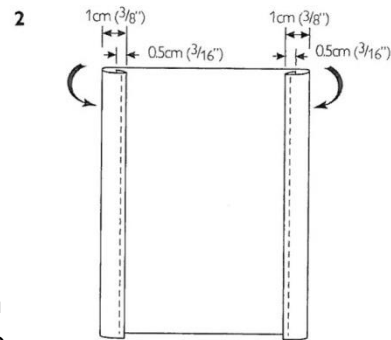
1. Fabric requirements for your blind

- Measure the width and drop of your window for recess fixed headrail or if you have mounted your blind headrail outside the recess, measure the width of the blind headrail by the drop required.
- Add to the finished blind the measurements shown in diagram B. On wider blinds more than a fabric width wide, join the fabric so the blind will have seams an equal distance from the centre. Mark the blind size plus seams with tailors chalk. Trim out the size.



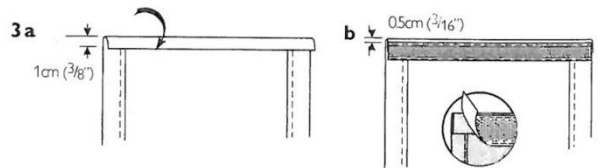
2. Sewing the side seams

Working on the back of the fabric, fold the side fabric under 0.5cm (3/16") and then over 1cm (3/8") to form a seam and sew down the inner edge. Repeat for the opposite side.



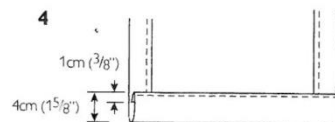
3. Stitching the loop tape to the top of the blind

Remove loop tape from headrail a. Fold over the top of the fabric 1 cm (3/8"). b. Place the loop tape over the fold leaving a 0.5cm (3/16") gap between the tape and the top of the fold. Sew the tape into place with two rows of stitches -a row on top and a row on the bottom of the tape



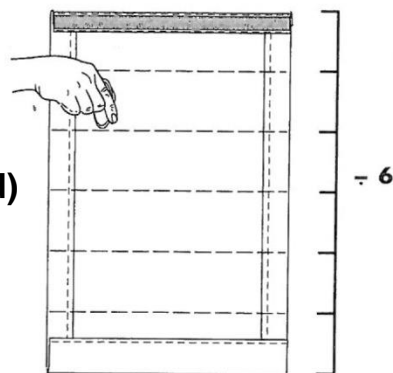
4. Sewing the bottom bar pocket

Fold over and create a 4cm (15/8") pocket with a turn over of 1cm (3/8") as shown in the diagram. Stitch along the top edge hem/pocket..



5. Marking the Rod Pockets

Divide the distance between the top and bottom of the blind by 5 and mark at both sides the position. With tailors chalk draw a faint line across the blind. Note: Ensure the lines are parallel before sewing either tape (NOT PROVIDED or Pockets)



6. Sewing the pockets or tape to the blind (not provided)

- Rotate the pocket tape so that it is in the upright position with the rear large pocket at the bottom of the tape and the small strip of pockets facing upwards as shown opposite.

Trim rods and tapes only if required.

- Measure and trim the 5 lengths of tape to the blind width plus 1cm (3/8") at either end for seams.
- Place the lengths onto the chalk marks made previously and turn one side of each length in 1cm (3/8") to form a hem on the tape.
- Sew to the blind with a row of stitching above the pocket area leaving one pocket end open on each to be hemed later.

6

7. Inserting the roman rods

- Trim the roman rods 2cm (3/4") shorter than the blind width.
- insert into the open ends of pockets on the blind tape.
- Fold the end of the pocket under 1cm (3/8") and stitch down the side.

8. Inserting the bottom bar

Trim the bottom bar to the same width as the roman rods cut previously (2cm (3/4") shorter than the blind width). Insert into the bottom pocket of the blind. Place a tacking stitch at each end to hold in place.

7

9. Positioning the headrail

Please note: Additional fasteners other than those sent with your blind may be required depending on the mounting surface. Wallboard and plaster require the use of anchors such as expansion or toggle bolts. Brick, tile or stone need special plugs and drill bits. Remember to always pre-drill holes in wood to avoid splitting.

a. Inside the recess

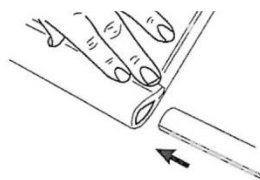
Decide the position of the headrail so that it will be clear of any latches and window fixtures. if you need to reduce the width of the headrail to fit the recess. **this should be done before assembling.** See 'Trimming the headrail' instruction on the following page.

b. Outside the recess

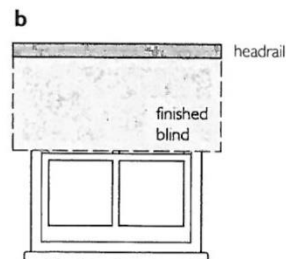
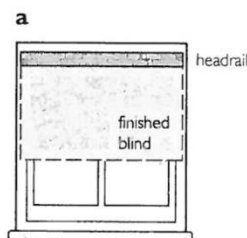
Decide the position of the headrail so that the overlaps on both sides of the recess are equal. It is advisable to allow a minimum of 5cm (2") overlap on each side.

The headrail shall not be installed less than 1.5m from the floor.

8



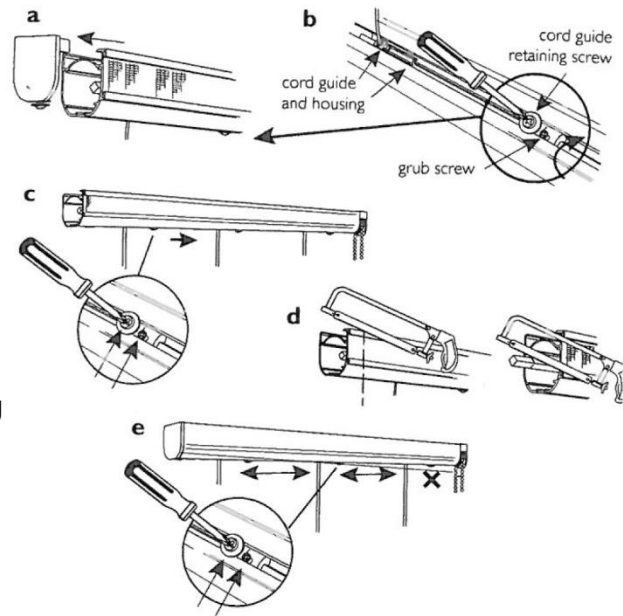
9



10. Trimming the headrail

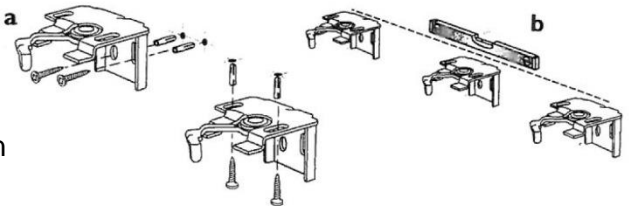
Tools required are a hacksaw and Phillips screw driver.

- a. Loosen the end cover retaining screw, slide and remove end cover from rail.
- b. Loosen the cord guide retaining screw and the small grub screw, located underneath the rail.
- c. Slide cord guide and housing with grub screw further up the rail to desired position. Re-lock grub screw and cord guide retaining screw.
- d. Using a fine toothed hacksaw trim the rail. When trimming the rail be sure to cut an equal amount from the inside bar, e.g. trim rail 2cm = trim the bar 2cm.
- e. Unscrew and reposition the centre cord guide if needed. Re-secure the guides. Should you desire the blind to draw from the left hand side - see points 16 and 17 overleaf before re-securing the guides.



11. Fixing the brackets

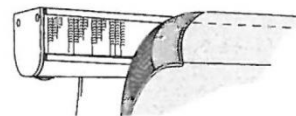
- a. The brackets are designed for face or top fixing to frame, wall or ceiling.
- b. Mark through the screw holes the position for the cam supports making sure they are level and in line, check with a spirit level. With the brackets removed, drill each bracket screw position. Fix brackets into place using screws provided, check alignment and level as you go. Use the wall plugs provided for plaster and masonry walls. We recommend for plaster walls a wooden batten be secured first.



12. Attaching blind to the track

Line up the blind/loop tape with the hook tape on the track and press firmly to secure the blind in place.

12



13. Cording the blind

For ease of assembling the rail is pre-corded.

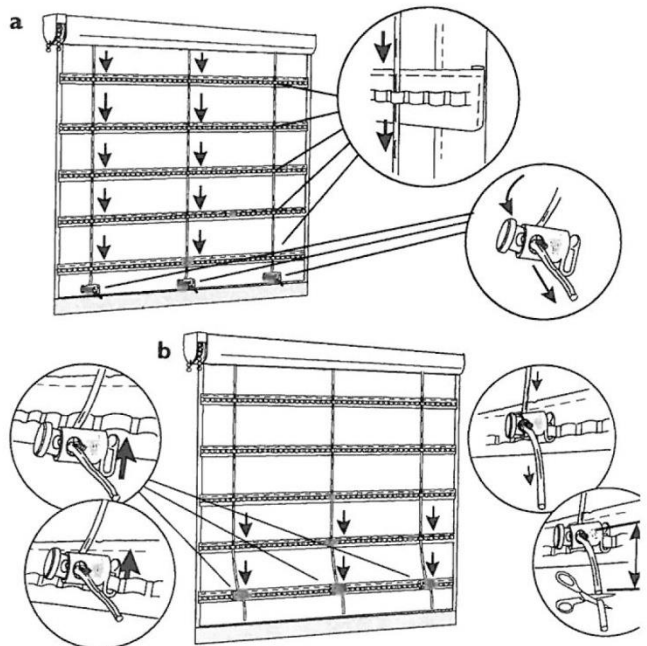
- a. Working vertically from where each cord will drop from the cord guides, thread the cord through the pocket tape. After the last row of pocket tape thread a hook on cord toggle onto each cord.
- b. Using an upward motion as shown, thread the hook on cord toggle into the last row of pocket tape.

Do not allow the cords to become twisted.

With the blind held in a level, vertical position, adjust the hook on cord toggles so that equal tension is held on each and they are level. Trim any excess cord at a distance of 4cm from the spring toggle. **Do not Knot the cords.**

Should the cord guides ever become detached please ensure when replacing that they are aligned vertically and that the spring toggles have equal tension on each and they are level.

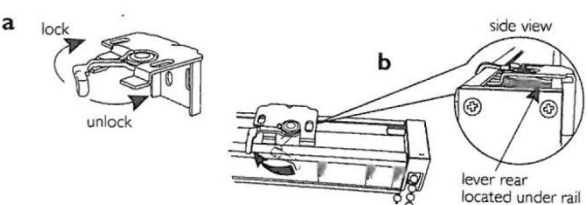
13



14. Hanging the rail

- a. With the cam supports in the unlocked position, mount the rail onto the supports by resting the front lip of the rail onto the front of the supports.
- b. Secure by sliding the lever on the cam supports into the locked position.

14

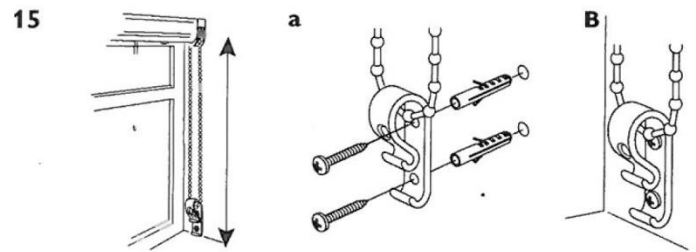


15. Mounting the chain safety guide

Read these instructions carefully before installing and using the chain safety guide. Children can be strangled if the chain safety guide is not installed correctly. Use of safety devices helps reduce the risk of strangulation but cannot be considered entirely fool proof.

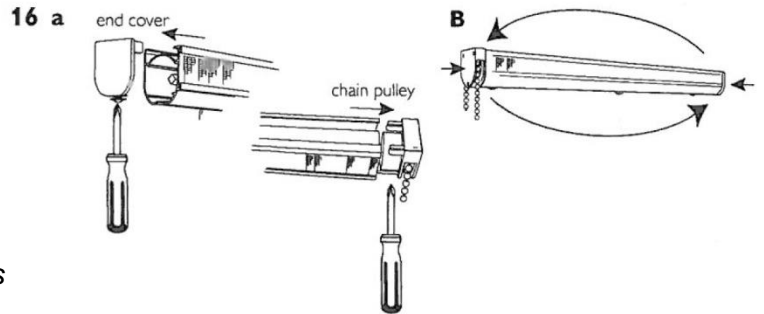
- a. With the chain safety guide on the chain, mark a suitable mounting position for the chain safety guide at a point where it keeps the chain taut. It is essential that the chain safety guide shall be installed at the maximum distance possible from the control mechanism to prevent the looped chain becoming slack.
- b. Use appropriate fixings to mount the chain safety guide, depending on the surface to which the device is being fitted.

Children can strangle if this safety device is not installed. Always use this device to keep cords or chains out of reach of children. Chain drop cannot exceed 1m if the blind is less than 2.5m. Please note: The chain cannot pass through the pulley when cut, or when using the connector.



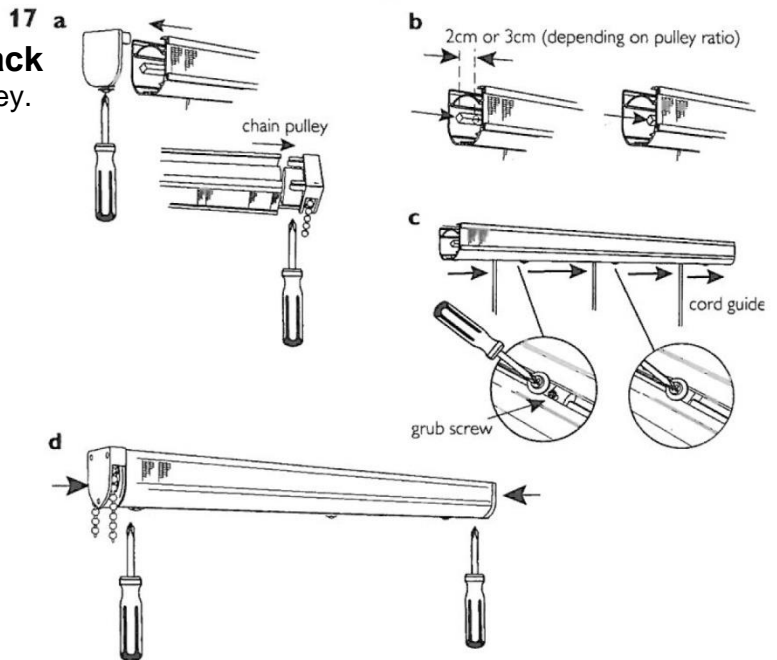
16. Converting to left hand draw- untrimmed track

- a. Unscrew, slide and remove the end cover and chain pulley.
- b. Slide the end cover and chain pulley into the opposite ends of the rail from previous. Tighten screws to secure.



17. Converting to left hand draw-trimmed track

- a. Unscrew, slide and remove the end cover and chain pulley.
- b. Slide the inner bar at the end where the chain pulley will be placed into the rail so it is at least 2cm from the rail end for 120 - 150cm, and 3cm for 150 - 210cm rails.
- c. Rotate the bar so that the grub screws at the side of the cord guides are accessible. Loosen both the cord guide screws and grub screws. Reposition so that they align with the cord positions on the blind. Secure the cord guide screws and grub screws.
- d. Slide the end cover and chain pulley into the opposite ends of the rail from previous. Tighten screws to secure.



WARNING

Young children have been strangled by loops in pull-cords, chains and tapes, and cords that operate the product. To avoid strangulation and entanglement, keep cords out of the reach of young children. Cords may become wrapped around a child's neck. Move beds, cots and furniture away from window covering cords. Make sure chains do not twist and create a loop. Children can strangle if the chain safety guide device is not installed. Always use this device to keep cords out of reach of children.